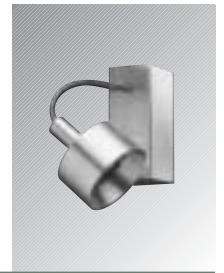




Litelab Corp. | Jewelers' Collection
 251 Elm Street Buffalo, NY 14203 USA
 1-800-238-4120, fax 716-856-0156, www.litelab.com

job name: _____

fixture type: _____



Machined Rings Collection
Incandescent | 120-Volt

Lamp-Ring | Side-Mount

AR-70

Lamp



12-volt, Incandescent
 AR-70
 (by others)

Base Fixture Models

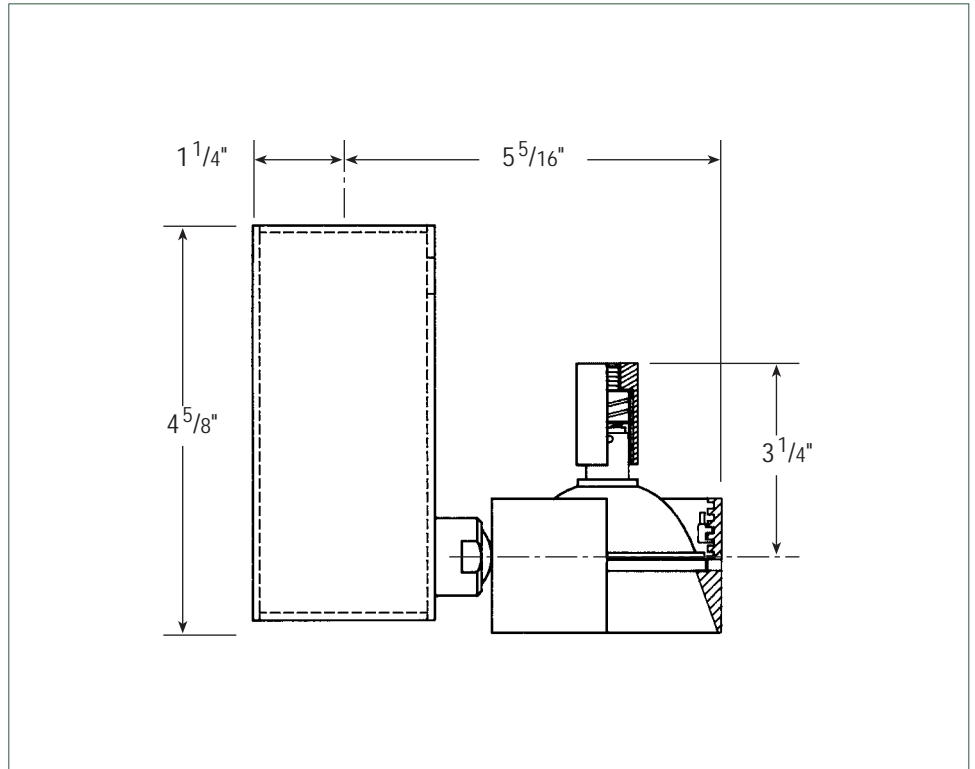
120-V.A.C.	LAMP TYPE	MAX. WATTAGE	ETL LISTED US
J05AR70	AR-70	50-watt	

Features

- Material(s):** 6000-series aluminum, precision-machined to blemish-free architectural finish.
- Lamp Ring:** machined to .187" seamless wall thickness; internally threaded to accept retaining ring for lamp and one or two accessories held level behind 70° beveled front.
- Socket Cup:** machined to .090" seamless wall thickness; securely fastened to ceramic medium-base socket, with leads enclosed in basket-weave, stainless steel sleeve.
- Side-Car:** extruded 2" x 2" x 4.125" case with electronic power supply; fastened to lamp ring by means of chrome-plated ball joint, precision manufactured to ensure non-drifting aiming angle of up to 35°.
- Input:** 120 VAC
- Temperature:** 35° C. (91° F.) ambient maximum
- Weight:** approx. 1.7 lb. with lamp and BusRun fitting.

Finishes

NT	Natural Aluminum
MB	Black
P	White
CP	Custom Paint



Specify:

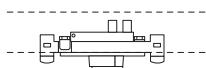
DESCRIPTION:	BASE FIXTURE MODEL	FITTING	FINISH	ACCESSORIES (OPTIONAL)
example:	J05AR70	-9A	-NT	-OL-5X55-m

Accessories

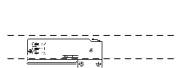
GLASS FILTERS	LOUVERS & SCREENS	
OL-5X55-m 5' x 55' linear spread lens	LVH/m hex cell louver	SNOOT/m Tapered glare shield
OL-SOLITE-m Beam Softener	B-15/m 15% light-blocking screen	SNOOT/m.5 Tapered wallwash adapter
OL-FLAT-m-UV Bausch & Lomb® Optivex™ UV filter		

consult for color glass

Fittings



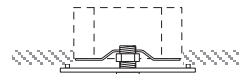
BusRun® Busway
9A fused plug-in fitter for use with 120V BusRun busway



Spec Track
5A 2, 3 or 4 circuit track fitter for use with 120V Spec Track systems



Basic Track
8BT 1-circuit track fitter for use with 120V Basic Track systems



Machined Canopy
3 canopy and mounting bracket for 4" octagon box by others