

MODEL NUMBER: F32P38MH	FIXTURE TYPE:	SCALE: 1/4"=1"	FILE NUMBER: W:\PRODUCT\FUND...\SUBMIT...\F32P38MH.dwg	DATE: 02/01/08	NO.	REVISIONS DESCRIPTION	BY	DATE
PROJECT NAME:	APPROX. WEIGHT: 4.8 lbs/2.2 kg	DRAWN BY: NJD	CK'D BY:	FIXTURE DESCRIPTION: PAR38 METAL HALIDE PARJECTOR	A		BJG	02/17/09
					001		NDJ	05/06/09

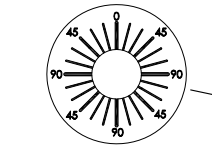
- FITTERS:
120 VOLTS:
-DEEP BUSRUN
-SHALLOW BUSRUN
-SPEC TRACK
-BASIC TRACK
-CANOPY
240 VOLTS:
-DEEP BUSRUN
-SHALLOW BUSRUN
-SPEC TRACK
-BASIC TRACK
-CANOPY

- C-CLAMPS:
LIGHT-DUTY
-STRAIGHT CORD
-COIL CORD
HEAVY-DUTY
-STRAIGHT CORD
-COIL CORD
UNISTRUT®
BUS FITTER OPTIONS:
ROTATION LOCK

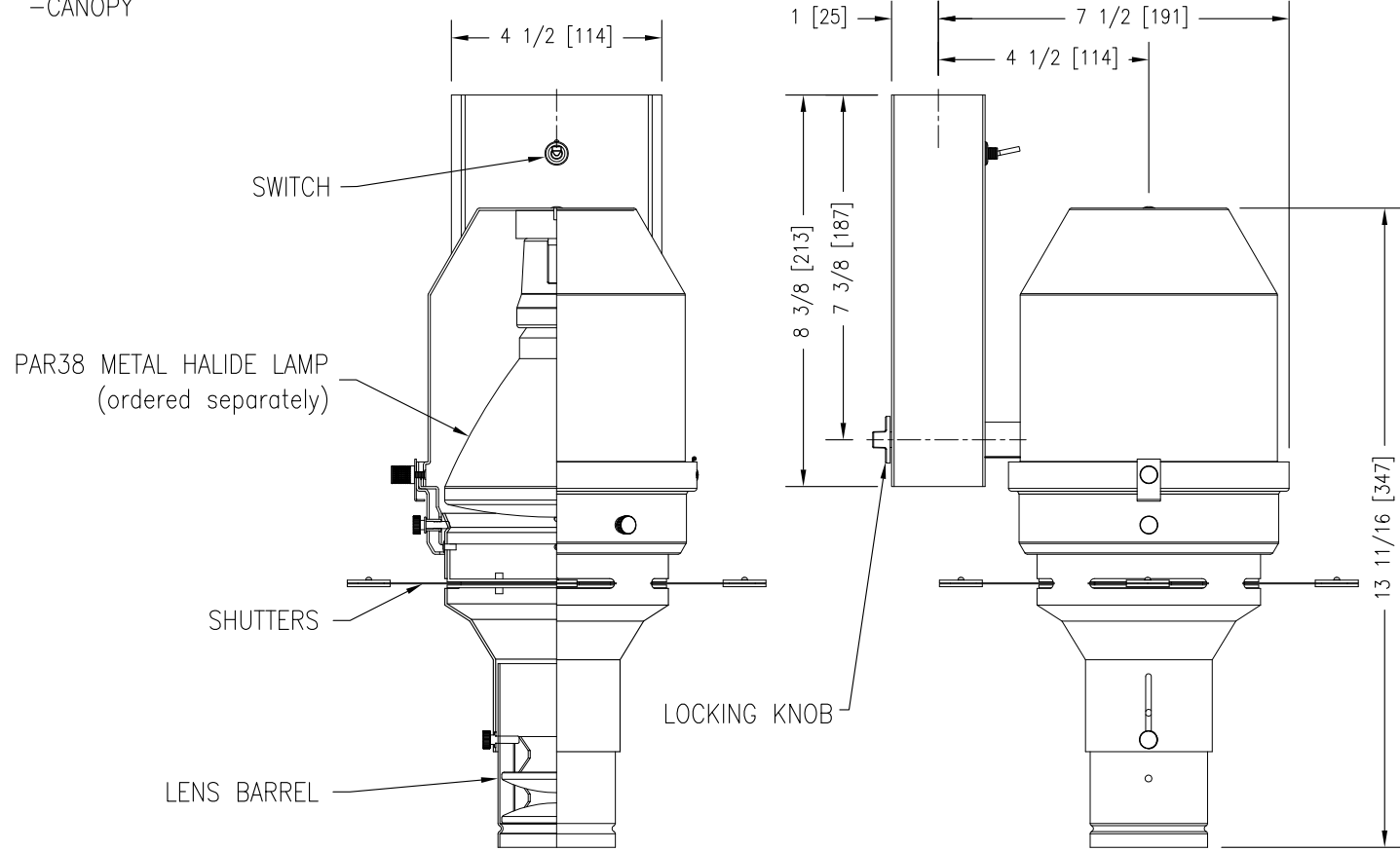
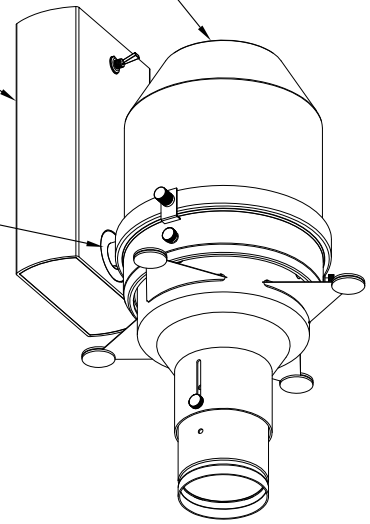
- LAMPS:
PAR38 METAL HALIDE (SPOT)
70-WATT ANSI CODE M139, M143, M98
100-WATT ANSI CODE M140, M90
FINISHES:
MB: BLACK
P: WHITE
NT: BRUSHED ALUMINUM
CP: CUSTOM FINISH

FIXTURE BODY, LID & ACCESSORY HOLDER:
SPUN-FORMED ALUMINUM

BALLAST HOUSING:
EXTRUDED ALUMINUM



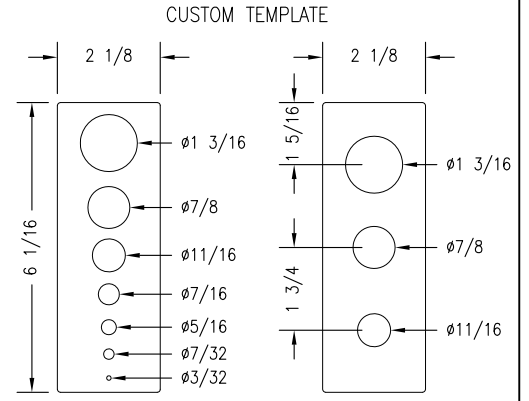
ANGLE INDICATOR



LENS:
M - MEDIUM 34'

TEMPLATE
CONSULT FACTORY

See Accessories page for details



MODEL NUMBER: F32P38MH	FIXTURE TYPE: SCALE: 1/4"=1"	FILE NUMBER: W:\PRODUCT\FUND...\SUBMIT...\F32P38MH.dwg	DATE: 5/6/09	NO.	REVISIONS DESCRIPTION	BY	DATE
PROJECT NAME:	APPROX. WEIGHT: 4.8 lbs/2.2 kg	DRAWN BY: NJD	CK'D BY:	A		BJG	02/17/09
			FIXTURE DESCRIPTION: PAR38 METAL HALIDE PARJECTOR	001		NDJ	05/06/09

FITTERS:
277 VOLTS:
-DEEP BUSRUN
-SHALLOW BUSRUN
-CANOPY

C-CLAMPS:
LIGHT-DUTY
-STRAIGHT CORD
-COIL CORD
HEAVY-DUTY
-STRAIGHT CORD
-COIL CORD
UNISTRUT®

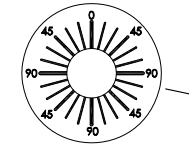
BUS FITTER OPTIONS:
ROTATION LOCK

LAMPS:
PAR38 METAL HALIDE (SPOT)
70-WATT ANSI CODE M139, M143, M98
100-WATT ANSI CODE M140, M90

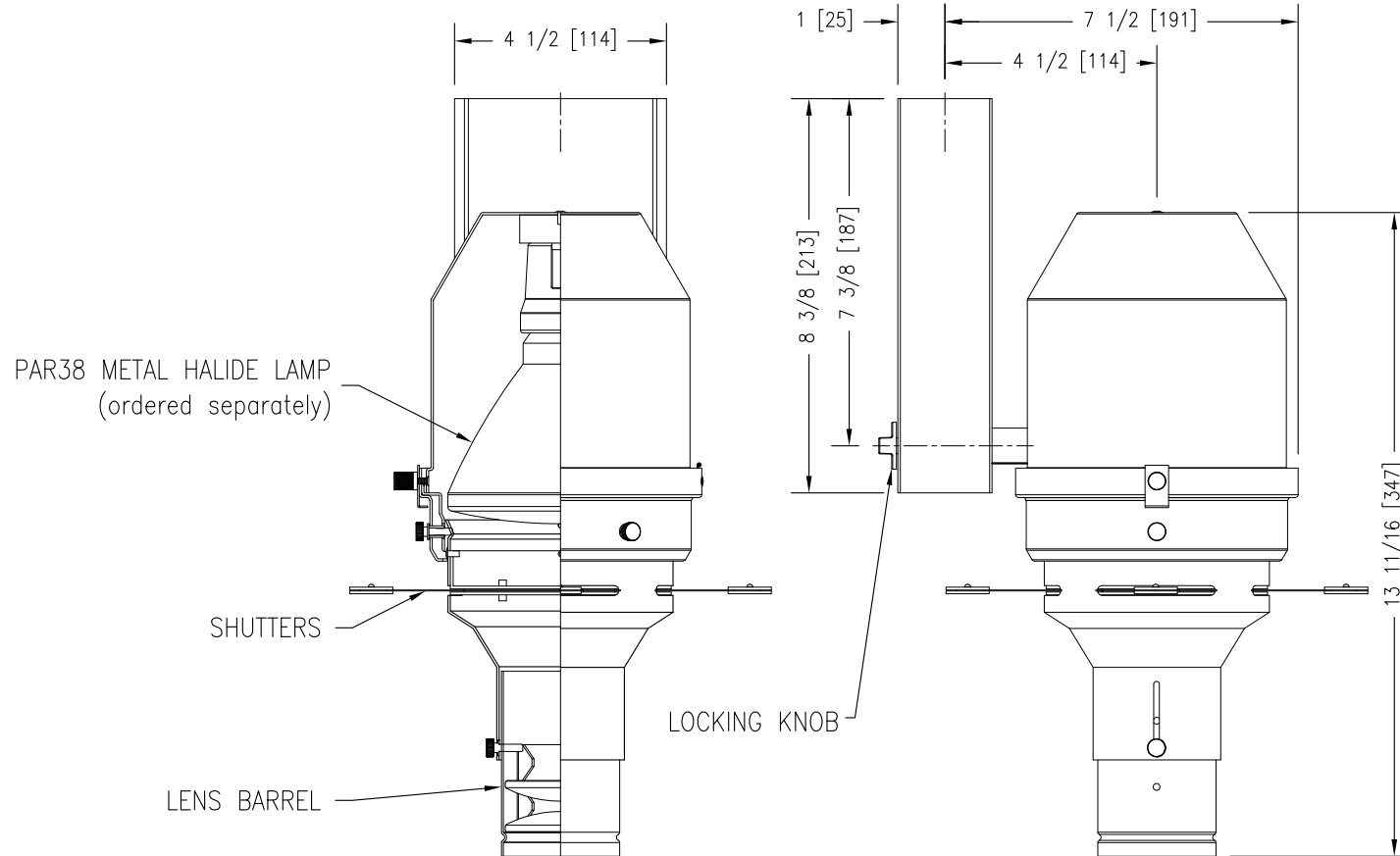
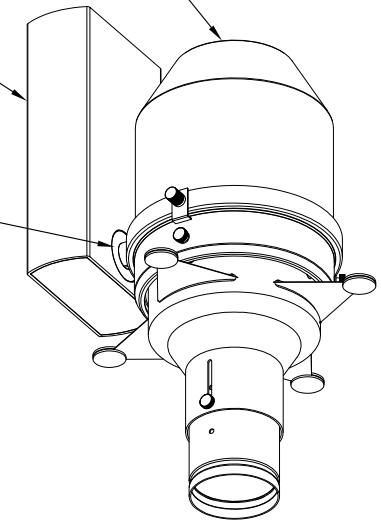
FINISHES:
MB: BLACK
P: WHITE
NT: BRUSHED ALUMINUM
CP: CUSTOM FINISH

FIXTURE BODY, LID & ACCESSORY HOLDER:
SPUN-FORMED ALUMINUM

BALLAST HOUSING:
EXTRUDED ALUMINUM



ANGLE INDICATOR



LENS:
M - MEDIUM 34"

TEMPLATE
CONSULT FACTORY

See Accessories page for details

CUSTOM TEMPLATE

