

MODEL NUMBER: F12AR111 OR F12PAR36	FIXTURE TYPE:	SCALE: 3/8"=1"	FILE NUMBER: W:\PRODUCT\FUND...\SUBMIT...\F12AR111.dwg	DATE: 02/01/08	NO.	REVISIONS DESCRIPTION	BY	DATE
PROJECT NAME:	APPROX. WEIGHT: 1.9 lbs/0.9 kg	DRAWN BY: KMR	CK'D BY:	FIXTURE DESCRIPTION: AR111 / PAR 36 SIDE CAR	A	CHANGED TO 75W MAX	BJG	7/7/09

FITTINGS:

- 120 VOLTS:  
 -DEEP BUSRUN  
 -SHALLOW BUSRUN  
 -SPEC TRACK  
 -BASIC TRACK  
 -CANOPY

- 277 VOLTS:  
 -DEEP BUSRUN  
 -SHALLOW BUSRUN  
 -CANOPY

- 240 VOLTS:  
 -DEEP BUSRUN  
 -SHALLOW BUSRUN  
 -SPEC TRACK  
 -BASIC TRACK  
 -CANOPY

C-CLAMPS:

- LIGHT-DUTY  
 -STRAIGHT CORD  
 -COIL CORD  
 HEAVY-DUTY  
 -STRAIGHT CORD  
 -COIL CORD  
 UNISTRUT®

- BUS FITTER OPTIONS:  
 SWITCH  
 ROTATION LOCK

LAMPS:

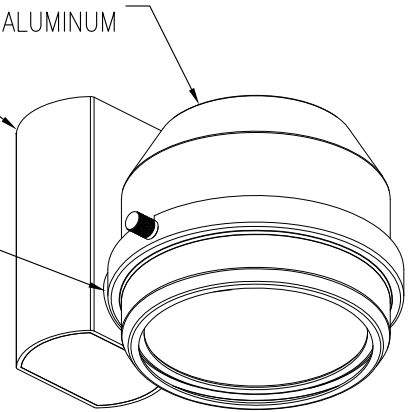
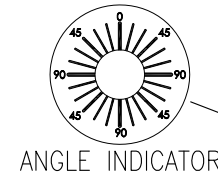
- AR-111/PAR-36 12V  
 75 WATT MAX

FINISHES:

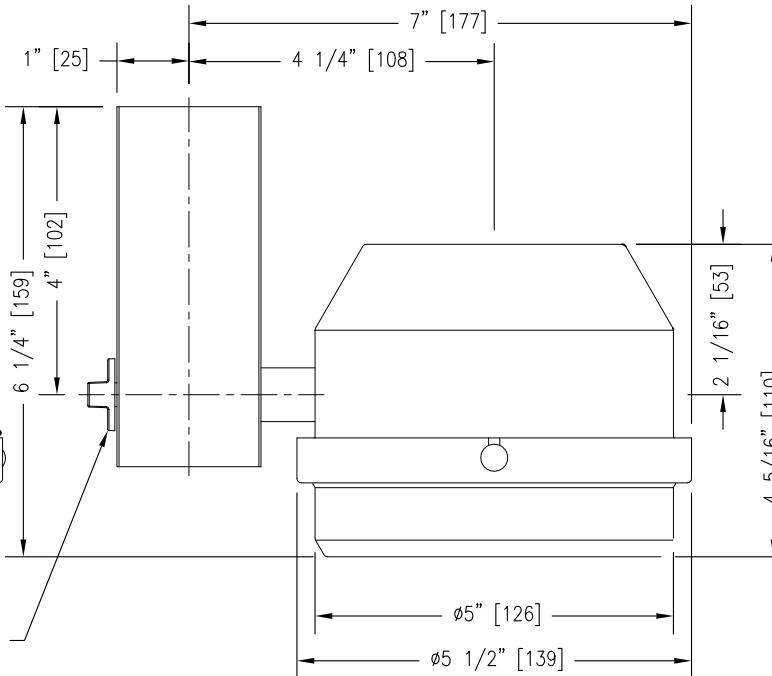
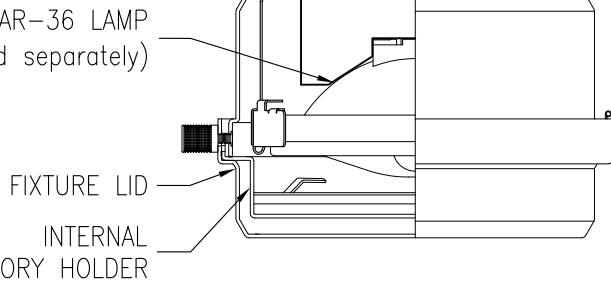
- MB: BLACK  
 P: WHITE  
 NT: BRUSHED ALUMINUM  
 CP: CUSTOM FINISH

FIXTURE BODY, LID & ACCESSORY HOLDER:  
 SPUN-FORMED ALUMINUM

ELECTRONIC POWER SUPPLY  
 HOUSING: EXTRUDED ALUMINUM



AR-111/PAR-36 LAMP  
 (ordered separately)



ACCESSORIES:  
 SIZE CODE: "s"  
 Holds up to three  
 Ordered separately

- LENSES:  
 OL-5X55-s SPREAD LENS  
 OL-5X55-s-FR FROSTED LENS  
 OL-FLAT-s CLEAR PYREX  
 OL-FLAT-s-UV UV FILTER  
 OL-SOLITE-s BEAM SOFTENER

- LOUVERS AND BAFFLES:  
 LVH/s HEXCEL LOUVER  
 LVR/s CUBE-CELL LOUVER  
 CHB/s CROSS-HAIR BAFFLE

- SNOOTS:  
 SNOOT-S/s STRAIGHT  
 SNOOT-S/s-WW WALL WASH

- B-15/s 15% LIGHT BLOCKING SCREEN  
 BDL/s BARNDOOR

See Accessories page for details

MODEL NUMBER: F12AR111 OR F12PAR36	FIXTURE TYPE:	SCALE: 3/8"=1"	FILE NUMBER: W:\PRODUCT\FUND...\SUBMIT...\F12AR111.dwg	DATE: 02/01/08	NO.	REVISIONS DESCRIPTION	BY	DATE
PROJECT NAME:	APPROX. WEIGHT: 1.9 lbs/0.9 kg	DRAWN BY: KMR	CK'D BY:	FIXTURE DESCRIPTION: AR111 / PAR 36 SIDE CAR	A	LENGTHENED BALLAST BOX 1.125"	BJG	7/7/09

FITTINGS:

- 120 VOLTS:  
 -DEEP BUSRUN  
 -SHALLOW BUSRUN  
 -SPEC TRACK  
 -BASIC TRACK  
 -CANOPY

- 277 VOLTS:  
 -DEEP BUSRUN  
 -SHALLOW BUSRUN  
 -CANOPY

- 240 VOLTS:  
 -DEEP BUSRUN  
 -SHALLOW BUSRUN  
 -SPEC TRACK  
 -BASIC TRACK  
 -CANOPY

C-CLAMPS:

- LIGHT-DUTY  
 -STRAIGHT CORD  
 -COIL CORD  
 HEAVY-DUTY  
 -STRAIGHT CORD  
 -COIL CORD  
 UNISTRUT®

BUS FITTER OPTIONS:

- SWITCH  
 ROTATION LOCK

LAMPS:

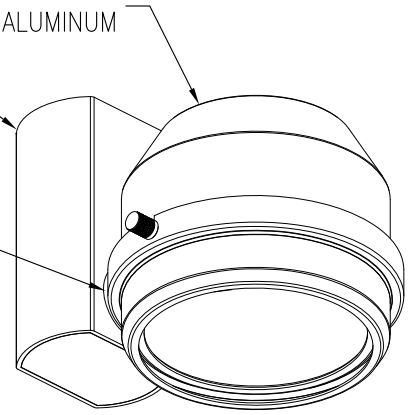
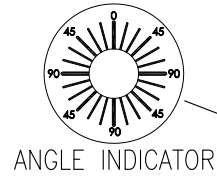
- AR-111/PAR-36 12V  
 100 WATT MAX

FINISHES:

- MB: BLACK  
 P: WHITE  
 NT: BRUSHED ALUMINUM  
 CP: CUSTOM FINISH

FIXTURE BODY, LID & ACCESSORY HOLDER:  
 SPUN-FORMED ALUMINUM

ELECTRONIC POWER SUPPLY  
 HOUSING: EXTRUDED ALUMINUM

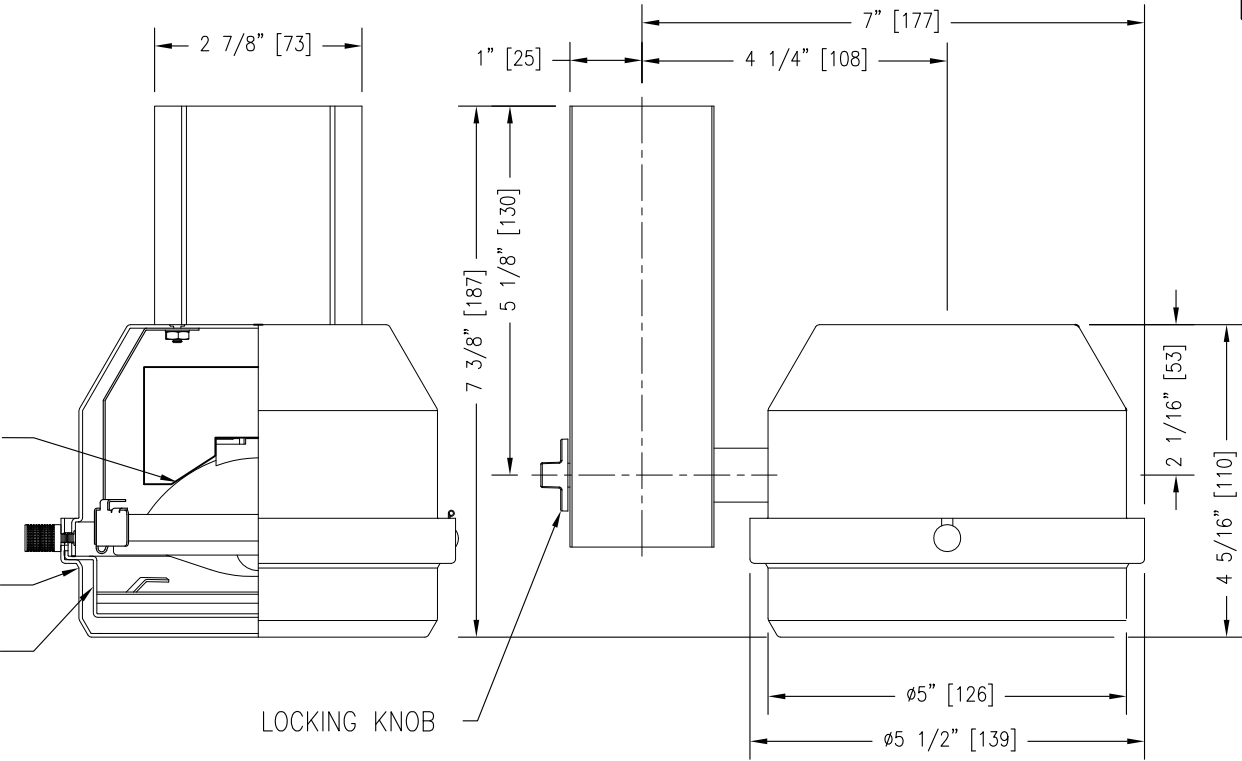


AR-111/PAR-36 LAMP  
 (ordered separately)

FIXTURE LID

INTERNAL  
 ACCESSORY HOLDER

LOCKING KNOB



ACCESSORIES:  
 SIZE CODE: "s"  
 Holds up to three  
 Ordered separately

- LENSES:  
 OL-5X55-s SPREAD LENS  
 OL-5X55-s-FR FROSTED LENS  
 OL-FLAT-s CLEAR PYREX  
 OL-FLAT-s-UV UV FILTER  
 OL-SOLITE-s BEAM SOFTENER

- LOUVERS AND BAFFLES:  
 LVH/s HEXCEL LOUVER  
 LVR/s CUBE-CELL LOUVER  
 CHB/s CROSS-HAIR BAFFLE

- SNOOTS:  
 SNOOT-S/s STRAIGHT  
 SNOOT-S/s-WW WALL WASH

- B-15/s 15% LIGHT BLOCKING SCREEN  
 BDL/s BARNDOOR

See Accessories page for details

