

MODEL NUMBER: F06P38MH	FIXTURE TYPE: SCALE: 3/8"=1"	FILE NUMBER: W:\PROD...\FUND...\SUBM...\F06P38MH.dwg	DATE: 02/01/08	NO.	REVISIONS DESCRIPTION	BY	DATE
PROJECT NAME:	APPROX. WEIGHT: 4.5 lbs/2.0 kg	DRAWN BY: NJD	CK'D BY:	FIXTURE DESCRIPTION: PAR 38 METAL HALIDE SIDECAR	002	NDJ	05/06/09

FITTERS:

- 120 VOLTS:  
 -DEEP BUSRUN  
 -SHALLOW BUSRUN  
 -SPEC TRACK  
 -BASIC TRACK  
 -CANOPY
- 240 VOLTS:  
 -DEEP BUSRUN  
 -SHALLOW BUSRUN  
 -SPEC TRACK  
 -BASIC TRACK  
 -CANOPY

C-CLAMPS:

- LIGHT-DUTY  
 -STRAIGHT CORD  
 -COIL CORD
- HEAVY-DUTY  
 -STRAIGHT CORD  
 -COIL CORD
- UNISTRUT®

BUS FITTER OPTIONS:  
 ROTATION LOCK

LAMPS:

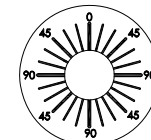
- PAR38 METAL HALIDE  
 70-WATT ANSI CODE M139, M143, M98  
 100-WATT ANSI CODE M140, M90  
 150-WATT ANSI CODE M102

FINISHES:

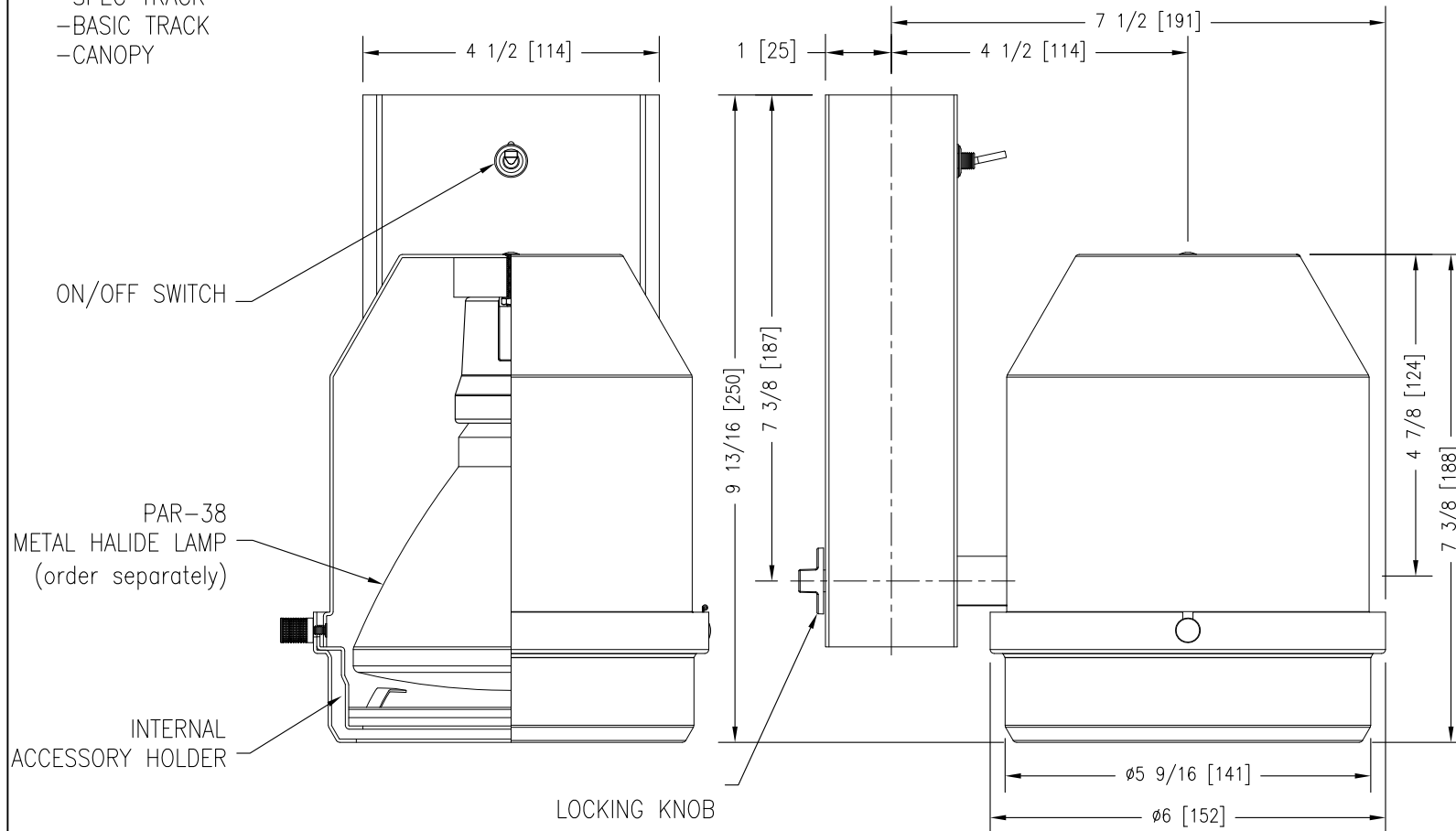
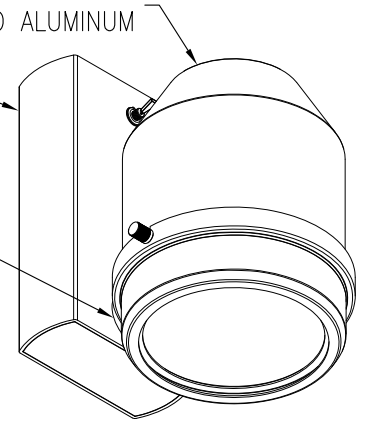
- MB: BLACK  
 P: WHITE  
 NT: BRUSHED ALUMINUM  
 CP: CUSTOM FINISH

FIXTURE BODY, LID & ACCESSORY HOLDER:  
 SPUN-FORMED ALUMINUM

BALLAST HOUSING:  
 EXTRUDED ALUMINUM



ANGLE INDICATOR



ACCESSORIES:  
 SIZE CODE: "w"  
 Holds up to three  
 Ordered separately

- LENSES:
- |               |               |
|---------------|---------------|
| OL-5X55-w     | SPREAD LENS   |
| OL-5X55-w-FR  | FROSTED LENS  |
| OL-55X75-w    | SPREAD LENS   |
| OL-55X75-w-FR | FROSTED LENS  |
| OL-FLAT-w-UV  | UV FILTER     |
| OL-SOLITE-w   | BEAM SOFTENER |

- LOUVERS AND BAFFLES:
- |       |                   |
|-------|-------------------|
| Lvh/w | HEXCEL LOUVER     |
| Lvr/w | CUBE-CELL LOUVER  |
| Chb/w | CROSS-HAIR BAFFLE |

- SNOOTS:
- |              |           |
|--------------|-----------|
| SNOOT-S/w    | STRAIGHT  |
| SNOOT-S/w-WW | WALL WASH |

- B-15/w 15% LIGHT BLOCKING SCREEN  
 BDL/w BARNDOOR

See Accessories page for details



MODEL NUMBER: F06P38MH	FIXTURE TYPE: SCALE: 3/8"=1"	FILE NUMBER: W:\PROD...\FUND...\SUBM...\F06P38MH.dwg	DATE: 5/6/09	NO.	REVISIONS DESCRIPTION	BY	DATE
PROJECT NAME:	APPROX. WEIGHT: 4.5 lbs/2.0 kg	DRAWN BY: NJD	CK'D BY:	FIXTURE DESCRIPTION: PAR 38 METAL HALIDE SIDECAR	002	NDJ	05/06/09

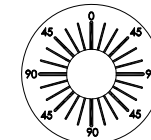
FITTERS:  
277 VOLTS:  
-DEEP BUSRUN  
-SHALLOW BUSRUN  
-CANOPY

C-CLAMPS:  
LIGHT-DUTY  
-STRAIGHT CORD  
-COIL CORD  
HEAVY-DUTY  
-STRAIGHT CORD  
-COIL CORD  
UNISTRUT®  
BUS FITTER OPTIONS:  
ROTATION LOCK

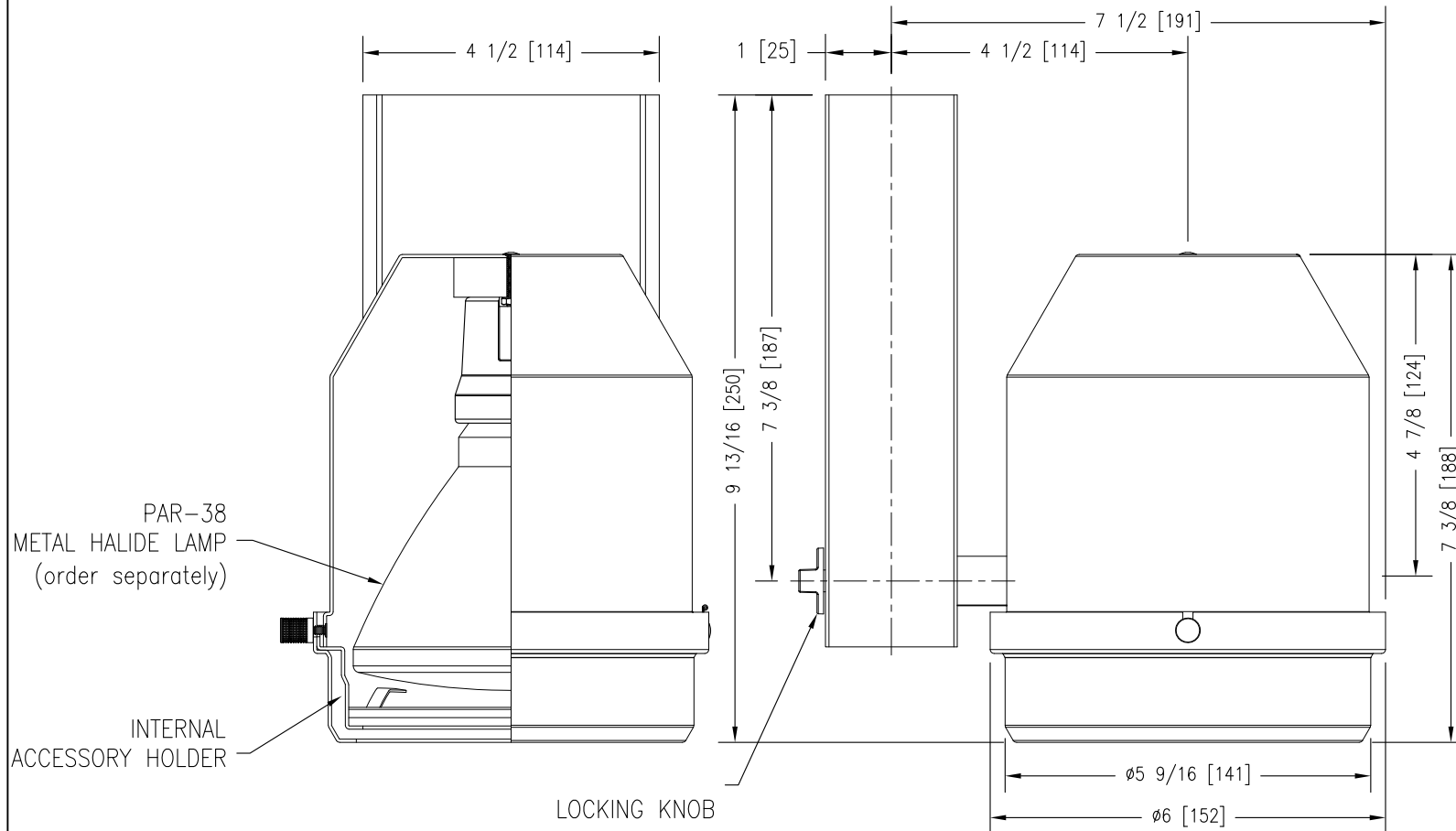
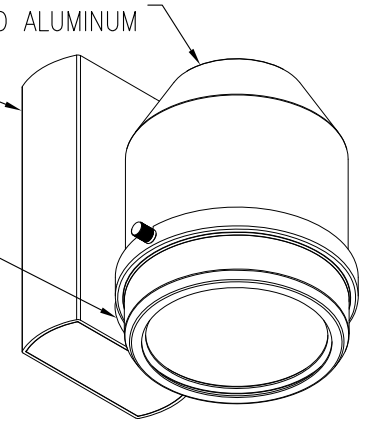
LAMPS:  
PAR38 METAL HALIDE  
70-WATT ANSI CODE M139, M143, M98  
100-WATT ANSI CODE M140, M90  
150-WATT ANSI CODE M102  
FINISHES:  
MB: BLACK  
P: WHITE  
NT: BRUSHED ALUMINUM  
CP: CUSTOM FINISH

FIXTURE BODY, LID & ACCESSORY HOLDER:  
SPUN-FORMED ALUMINUM

BALLAST HOUSING:  
EXTRUDED ALUMINUM



ANGLE INDICATOR



ACCESSORIES:  
SIZE CODE: "w"  
Holds up to three  
Ordered separately

LENSES:  
OL-5X55-w SPREAD LENS  
OL-5X55-w-FR FROSTED LENS  
OL-55X75-w SPREAD LENS  
OL-55X75-w-FR FROSTED LENS  
OL-FLAT-w-UV UV FILTER  
OL-SOLITE-w BEAM SOFTENER

LOUVERS AND BAFFLES:  
LVH/w HEXCEL LOUVER  
LVR/w CUBE-CELL LOUVER  
CHB/w CROSS-HAIR BAFFLE

SNOOTS:  
SNOOT-S/w STRAIGHT  
SNOOT-S/w-WW WALL WASH

B-15/w 15% LIGHT BLOCKING SCREEN  
BDL/w BARNDOOR

See Accessories page for details

**litelab**  
corp.