

MODEL NUMBER: F03AR111 OR F03PAR36	FIXTURE TYPE: SCALE: 1/2"=1"	FILE NUMBER: W:\PRODUCT\FUND...\SUBMIT...\F03AR111.dwg	DATE: 02/01/07	NO.	REVISIONS DESCRIPTION	BY	DATE
PROJECT NAME:	APPROX. WEIGHT: 1.3 lbs/0.6 kg	DRAWN BY: KMR	CK'D BY:	FIXTURE DESCRIPTION: AR111/PAR36 HALOGEN YOKE ON BUSRUN	000		

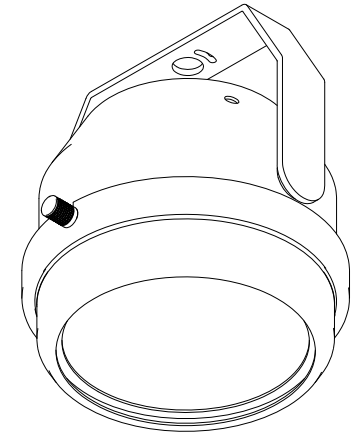
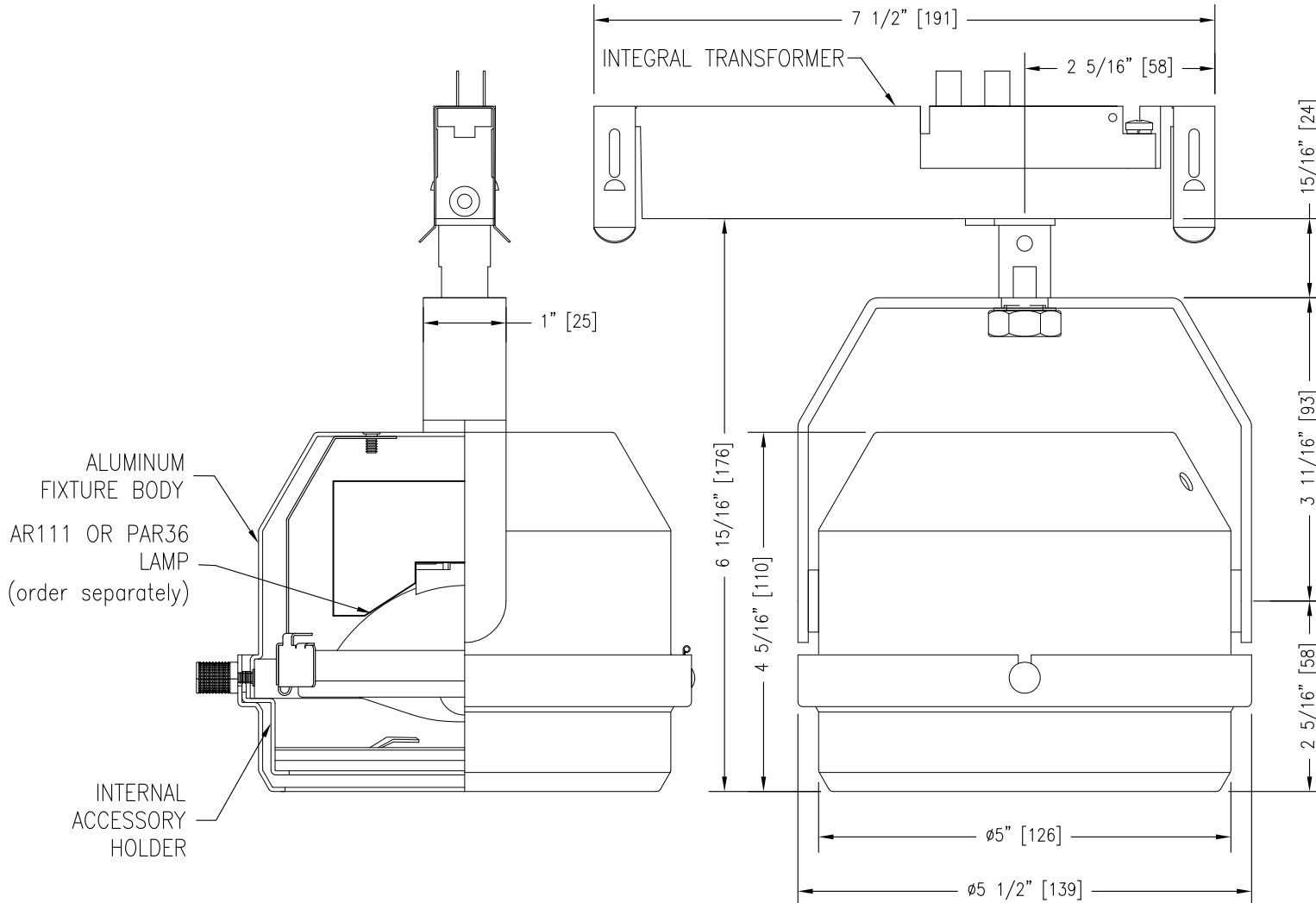
FITTINGS:
 INTEGRAL TRANSFORMER:
 -DEEP BUSRUN
 -SHALLOW BUSRUN
 -BUSPOINT

BUS FITTER OPTIONS:
 SWITCH
 ROTATION LOCK

LAMP:
 AR111 OR PAR36 12V
 75 WATT MAX W/-9I FITTER

FINISHES:
 MB: BLACK
 P: WHITE
 NT: BRUSHED ALUMINUM
 CP: CUSTOM FINISH

VOLTAGES:
 120
 240



ACCESSORIES:
 SIZE CODE: "s"
 Holds up to three
 Ordered separately

LENSES:

OL-5X55-s	SPREAD LENS
OL-5X55-s-FR	FROSTED LENS
OL-FLAT-s	CLEAR PYREX
OL-FLAT-s-UV	UV FILTER
OL-SOLITE-s	BEAM SOFTENER

LOUVERS AND BAFFLES:

LVH/s	HEXCEL LOUVER
LVR/s	CUBE-CELL LOUVER
CHB/s	CROSS-HAIR BAFFLE

SNOOTS:

SNOOT-S/s	STRAIGHT
SNOOT-S/s-WW	WALL WASH

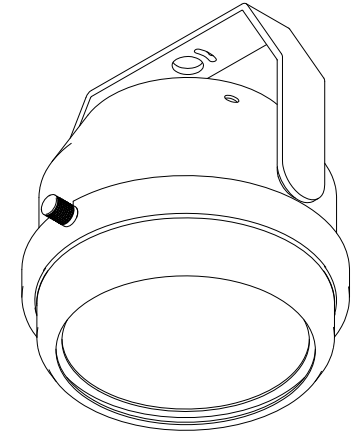
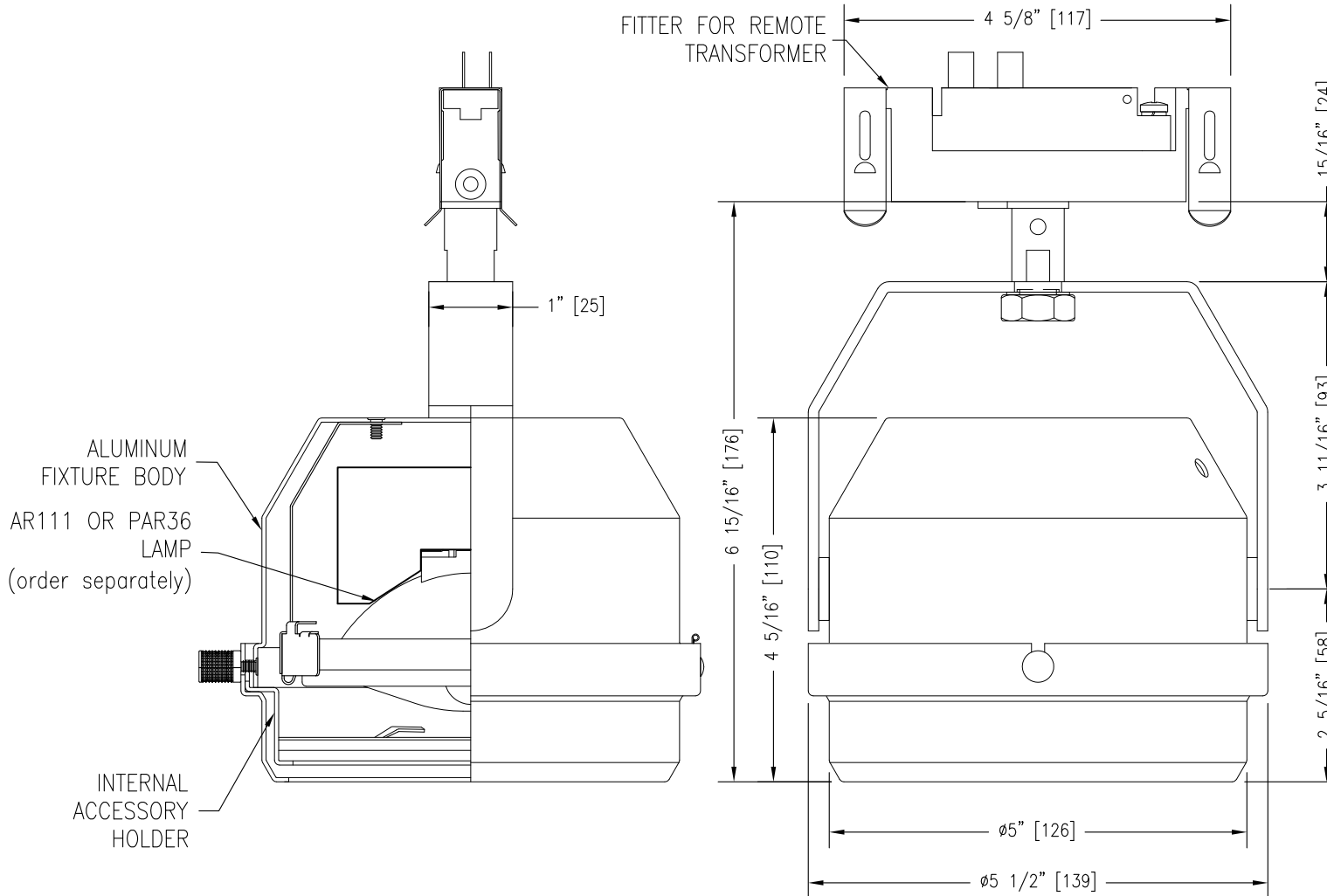
B-15/s 15% LIGHT BLOCKING SCREEN
 BDL/s BARNDOOR

See Accessories page for details



MODEL NUMBER: F03AR111 OR F03PAR36	FIXTURE TYPE:	SCALE: 1/2"=1"	FILE NUMBER: W:\PRODUCT\FUND...\SUBMIT...\F03AR111.dwg	DATE: 02/01/07	NO.	REVISIONS DESCRIPTION	BY	DATE
PROJECT NAME:	APPROX. WEIGHT: 1.2 lbs/0.5 kg	DRAWN BY: KMR	CK'D BY:	FIXTURE DESCRIPTION: AR111/PAR36 HALOGEN YOKE ON BUSRUN	000			

<u>FITTINGS:</u>	<u>BUS FITTER OPTIONS:</u>	<u>LAMP:</u>	<u>FINISHES:</u>	<u>VOLTAGES:</u>
REMOTE TRANSFORMER:	SWITCH	AR111 OR PAR36 12V	MB: BLACK	120
-DEEP BUSRUN	ROTATION LOCK	100 WATT MAX	P: WHITE	240
-SHALLOW BUSRUN			NT: BRUSHED ALUMINUM	
-BUSPOINT			CP: CUSTOM FINISH	



ACCESSORIES:
 SIZE CODE: "s"
 Holds up to three
 Ordered separately

LENSES:
 OL-5X55-s SPREAD LENS
 OL-5X55-s-FR FROSTED LENS
 OL-FLAT-s CLEAR PYREX
 OL-FLAT-s-UV UV FILTER
 OL-SOLITE-s BEAM SOFTENER

LOUVERS AND BAFFLES:
 LVH/s HEXCEL LOUVER
 LVR/s CUBE-CELL LOUVER
 CHB/s CROSS-HAIR BAFFLE

SNOOTS:
 SNOOT-S/s STRAIGHT
 SNOOT-S/s-WW WALL WASH

B-15/s 15% LIGHT BLOCKING SCREEN
 BDL/s BARNDOOR

See Accessories page for details

MODEL NUMBER: F03AR111 OR F03PAR36	FIXTURE TYPE: SCALE: 1/2"=1"	FILE NUMBER: W:\PRODUCT\FUND...\SUBMIT...\F03AR111.dwg	DATE: 02/01/07	NO.	REVISIONS DESCRIPTION	BY	DATE
PROJECT NAME:	APPROX. WEIGHT: 1.2 lbs/0.5 kg	DRAWN BY: KMR	CK'D BY:	FIXTURE DESCRIPTION: AR111/PAR36 HALOGEN YOKE ON BUSRUN	000		

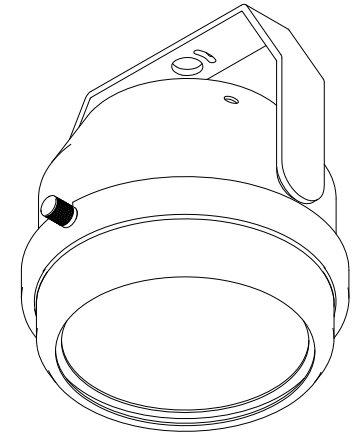
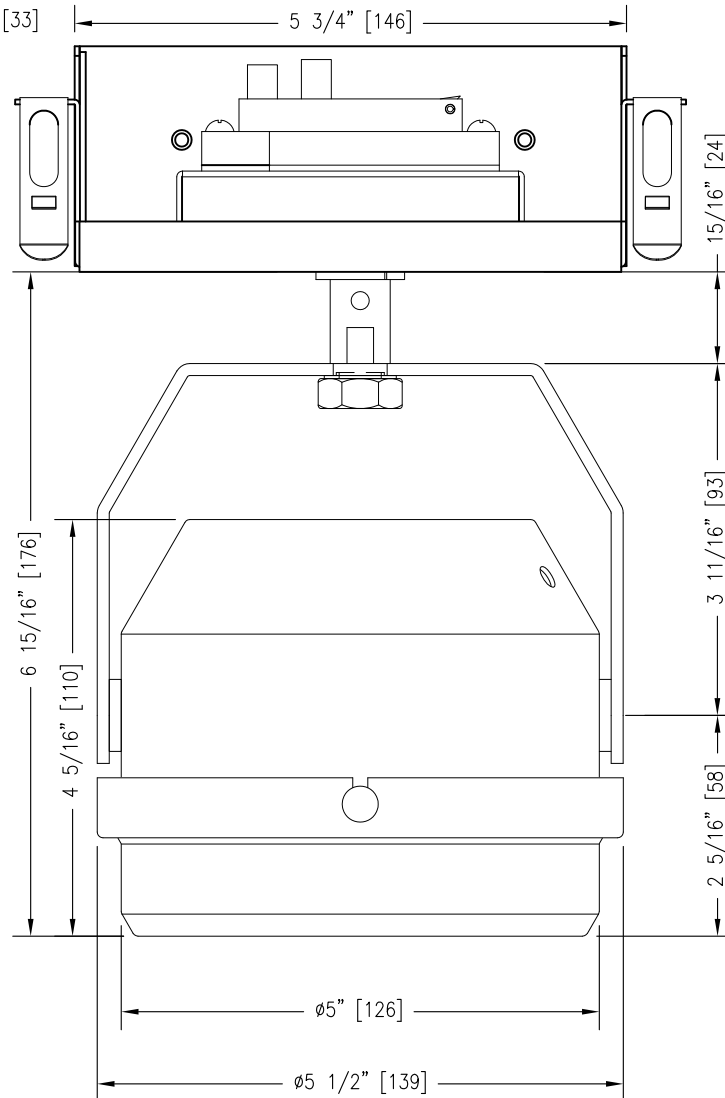
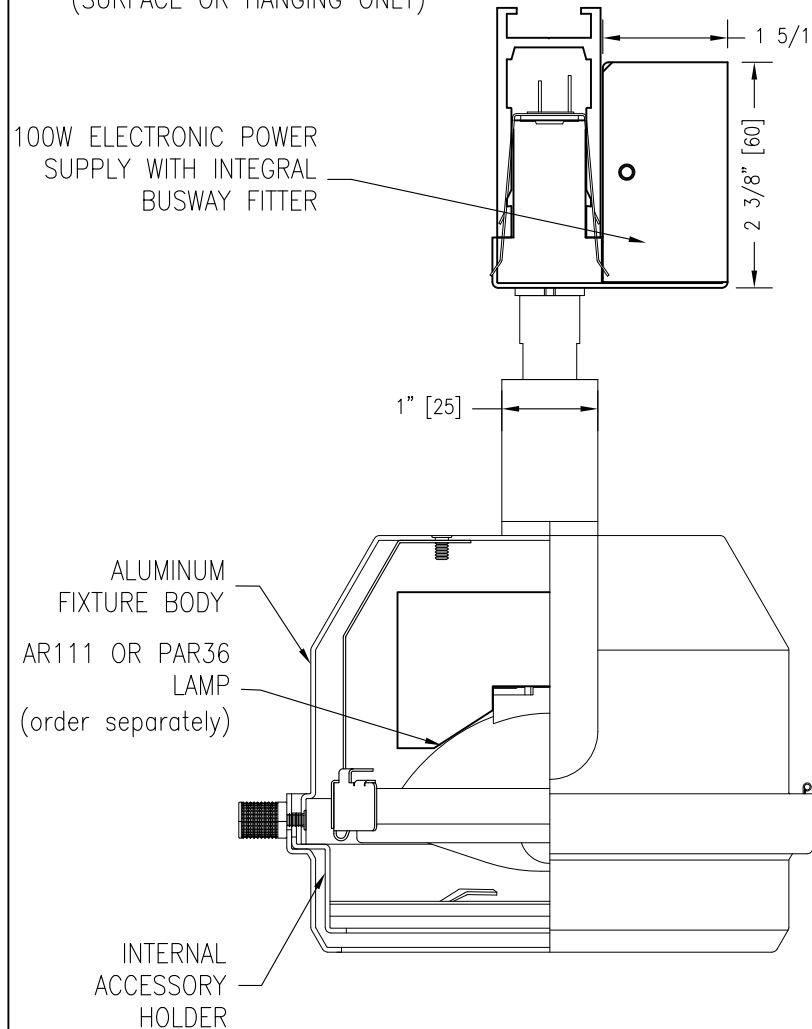
FITTINGS:
 INTEGRAL TRANSFORMER:
 -DEEP BUSRUN
 -SHALLOW BUSRUN
 (SURFACE OR HANGING ONLY)

BUS FITTER OPTIONS:
 SWITCH
 ROTATION LOCK

LAMP:
 AR111 OR PAR36 12V
 100 WATT

FINISHES:
 MB: BLACK
 P: WHITE
 NT: BRUSHED ALUMINUM
 CP: CUSTOM FINISH

VOLTAGES:
 120
 240



ACCESSORIES:
 SIZE CODE: "s"
 Holds up to three
 Ordered separately

LENSES:
 OL-5X55-s SPREAD LENS
 OL-5X55-s-FR FROSTED LENS
 OL-FLAT-s CLEAR PYREX
 OL-FLAT-s-UV UV FILTER
 OL-SOLITE-s BEAM SOFTENER

LOUVERS AND BAFFLES:
 LVH/s HEXCEL LOUVER
 LVR/s CUBE-CELL LOUVER
 CHB/s CROSS-HAIR BAFFLE

SNOOTS:
 SNOOT-S/s STRAIGHT
 SNOOT-S/s-WW WALL WASH

B-15/s 15% LIGHT BLOCKING SCREEN
 BDL/s BARNDOOR

See Accessories page for details

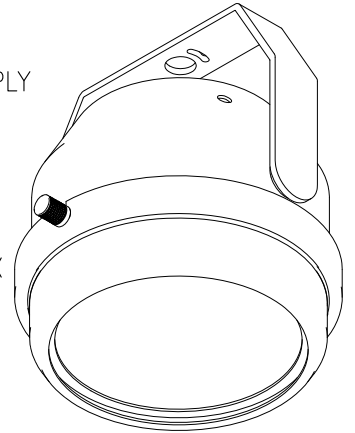
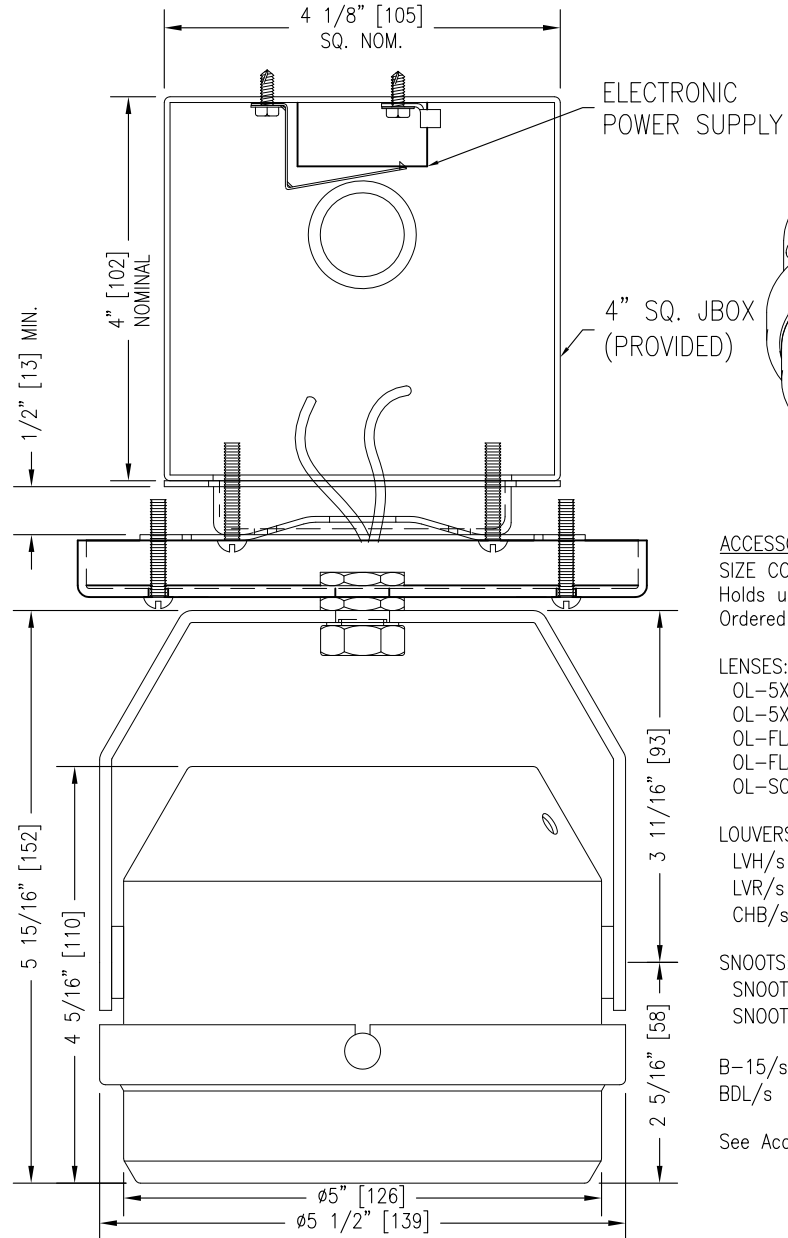
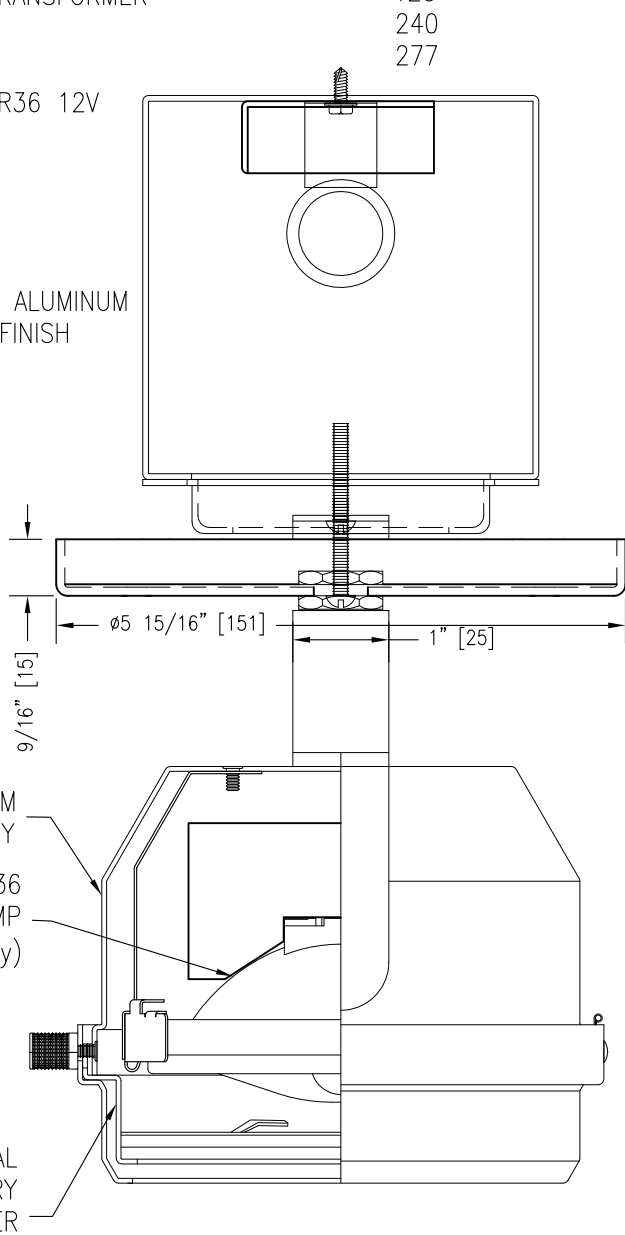
MODEL NUMBER: F03AR111 OR F03PAR36	FIXTURE TYPE:	SCALE: 1/2"=1"	FILE NUMBER: W:\PRODUCT\FUND...\SUBMIT...\F03AR111.dwg	DATE: 02/01/07	NO.	REVISIONS DESCRIPTION	BY	DATE
PROJECT NAME:	APPROX. WEIGHT: 3.5 lbs/1.6 kg	DRAWN BY: KMR	CK'D BY:	FIXTURE DESCRIPTION: AR111/PAR36 HALOGEN YOKE	000			

FITTINGS:
CANOPY W/ TRANSFORMER

VOLTAGES:
120
240
277

LAMP:
AR111 OR PAR36 12V
75 WATT MAX

FINISHES:
MB: BLACK
P: WHITE
NT: BRUSHED ALUMINUM
CP: CUSTOM FINISH



ACCESSORIES:
SIZE CODE: "s"
Holds up to three
Ordered separately

LENSES:
OL-5X55-s SPREAD LENS
OL-5X55-s-FR FROSTED LENS
OL-FLAT-s CLEAR PYREX
OL-FLAT-s-UV UV FILTER
OL-SOLITE-s BEAM SOFTENER

LOUVERS AND BAFFLES:
LVH/s HEXCEL LOUVER
LVR/s CUBE-CELL LOUVER
CHB/s CROSS-HAIR BAFFLE

SNOOTS:
SNOOT-S/s STRAIGHT
SNOOT-S/s-WW WALL WASH

B-15/s 15% LIGHT BLOCKING SCREEN
BDL/s BARNDOOR

See Accessories page for details

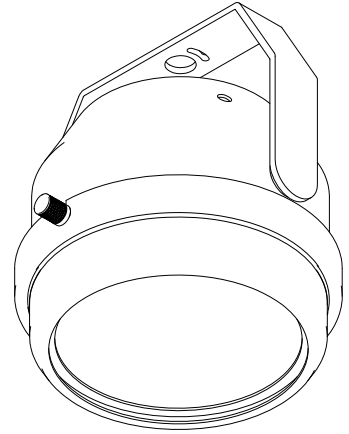
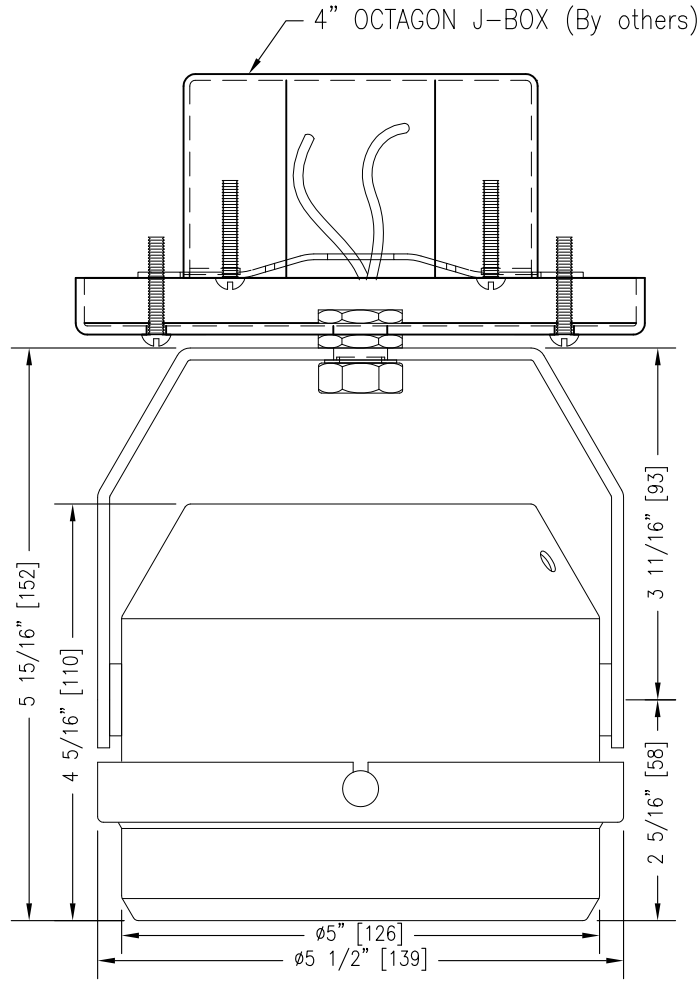
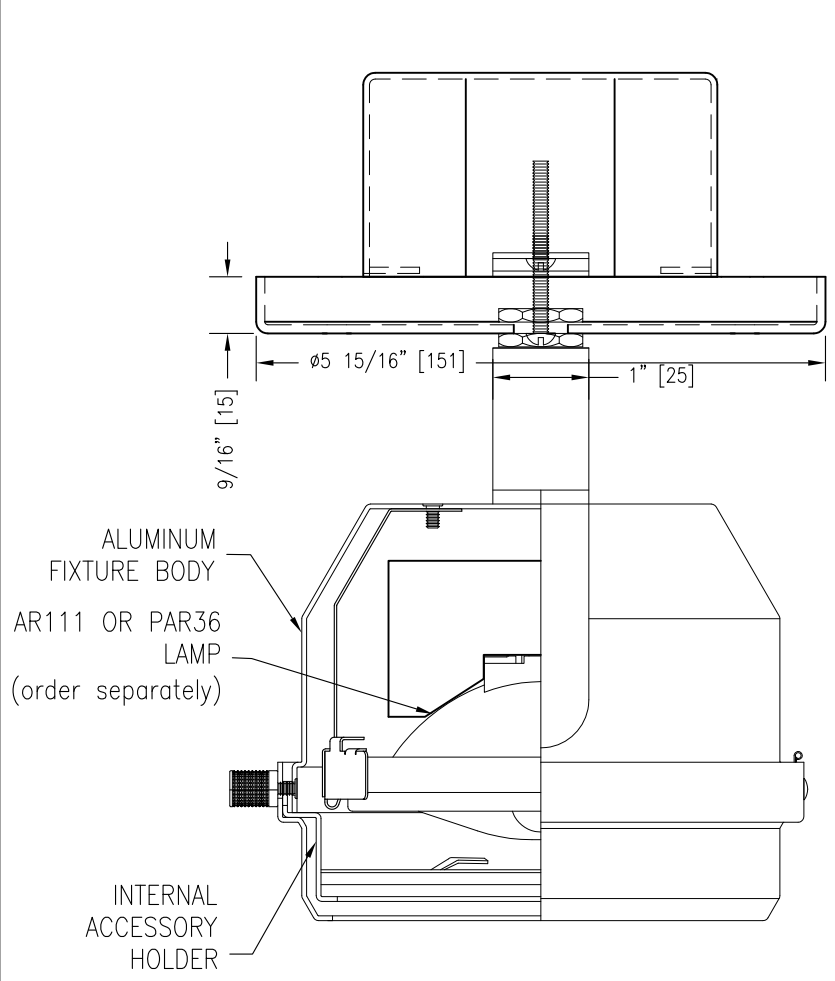
MODEL NUMBER: F03AR111 OR F03PAR36	FIXTURE TYPE: SCALE: 1/2"=1"	FILE NUMBER: W:\PRODUCT\FUND...\SUBMIT...\F03AR111.dwg	DATE: 02/01/07	NO.	REVISIONS DESCRIPTION	BY	DATE
PROJECT NAME:	APPROX. WEIGHT: 3.5 lbs/1.6 kg	DRAWN BY: KMR	CK'D BY:	FIXTURE DESCRIPTION: AR111/PAR36 HALOGEN YOKE	000		

FITTINGS:
REMOTE TRANSFORMER:
-CANOPY
-UNISTRUT®

LAMP:
AR111 OR PAR36 12V
100 WATT MAX

FINISHES:
MB: BLACK
P: WHITE
NT: BRUSHED ALUMINUM
CP: CUSTOM FINISH

VOLTAGES:
120
240
277



- ACCESSORIES:
SIZE CODE: "s"
Holds up to three
Ordered separately
- LENSES:
OL-5X55-s SPREAD LENS
OL-5X55-s-FR FROSTED LENS
OL-FLAT-s CLEAR PYREX
OL-FLAT-s-UV UV FILTER
OL-SOLITE-s BEAM SOFTENER
- LOUVERS AND BAFFLES:
LVH/s HEXCEL LOUVER
LVR/s CUBE-CELL LOUVER
CHB/s CROSS-HAIR BAFFLE
- SNOOTS:
SNOOT-S/s STRAIGHT
SNOOT-S/s-WW WALL WASH
- B-15/s 15% LIGHT BLOCKING SCREEN
BDL/s BARNDOOR
- See Accessories page for details

